

HANDLE PEARES

External handle for tube 20 mm

TECHNICAL DATA SHEET

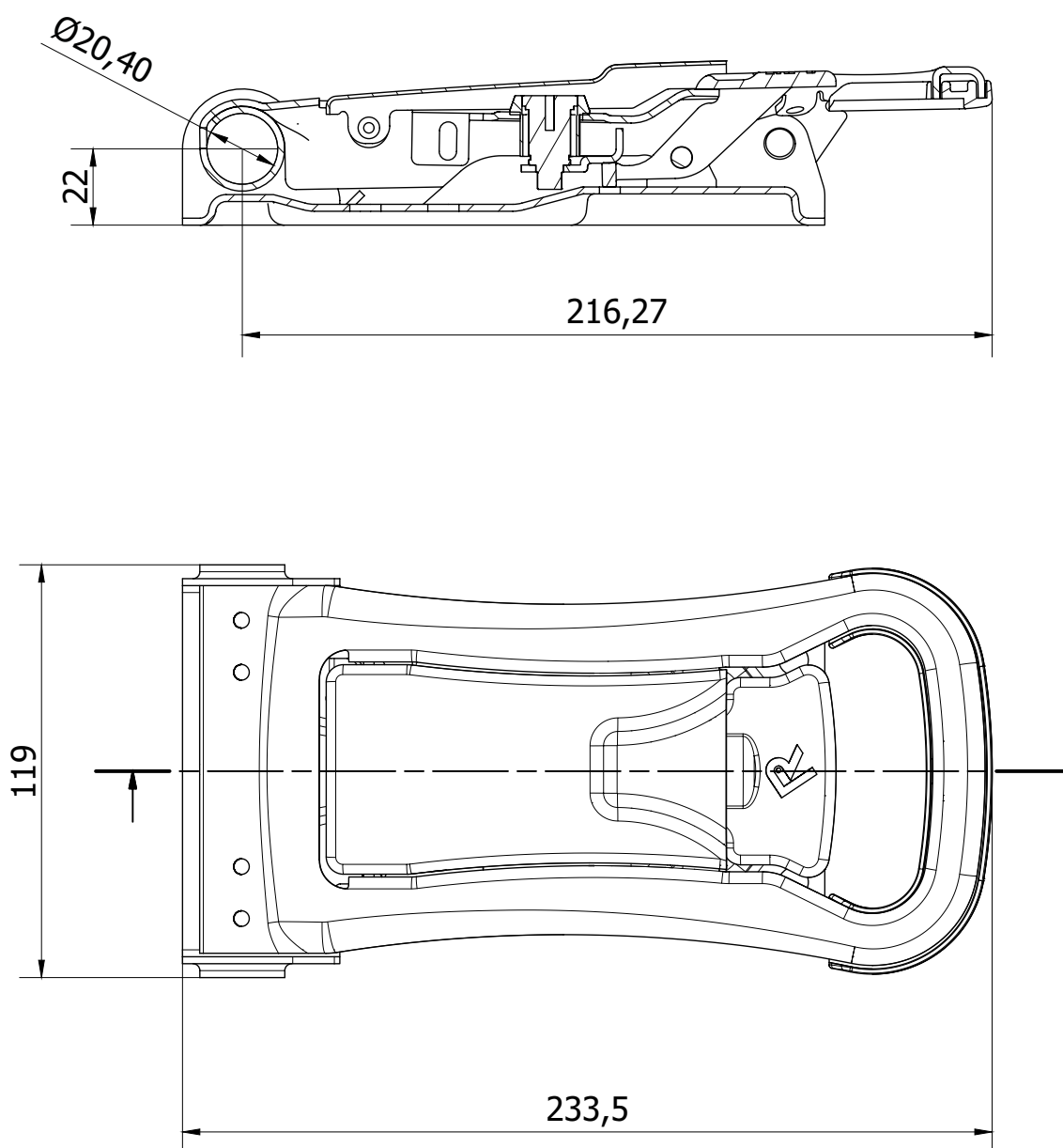
- Available in AISI 304 or zinc plated mild steel DD13.
- Plate thickness 2mm.
- Available with simple base or with embracing base.
- "PUSH" release mechanism.
- Poliamide 6.6. injected grip handle.
- Maximum opening 98°
- Suitable for seal or padlock.
- Keybarrel protected by key cover.
- Metallic locking barrel cam.
- Double rolling allowing great resistance.
- Suitable for internal opening release.



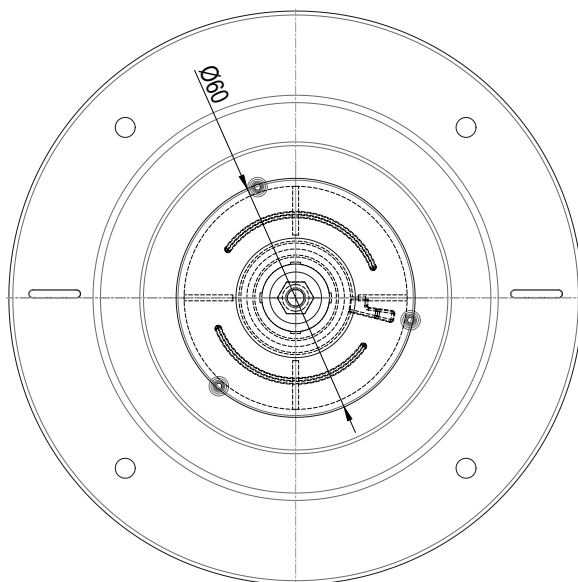
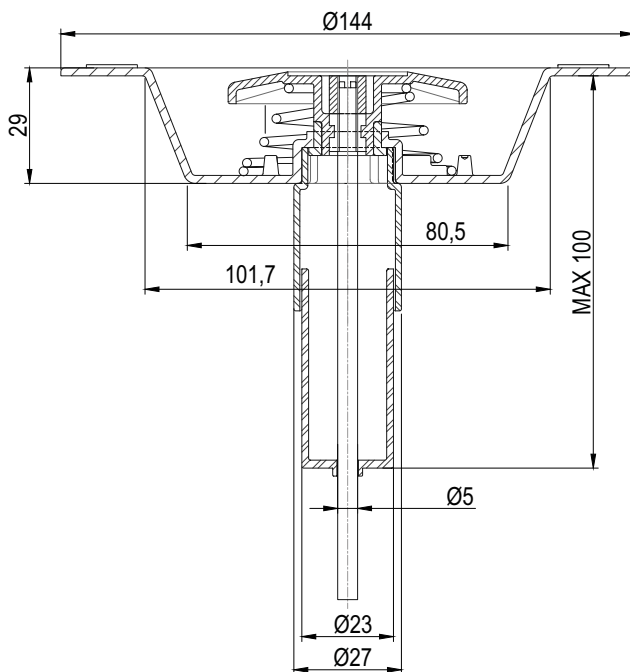
	STAINLESS STEEL AISI 304	MILD STEEL ZINC PLATED	WEIGHTS
EXTERNAL HANDLE PEARES DIAM 20 MM	202070253	202070153	1045 gr.

HANDLE PEARES

External handle for tube 20 mm



INTERNAL OPENING DEVICE



	CODE
INTERNAL OPENING DEVICE	202740680